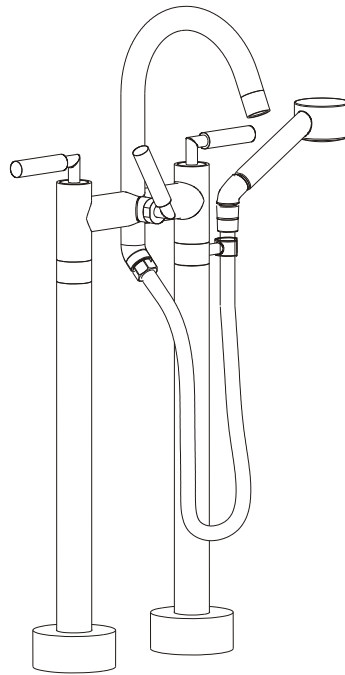


WATERMARK

MADE IN BROOKLYN, NEW YORK

INSTALLATION INSTRUCTIONS



Floor mounted bath/shower mixer

21-8.3, 22-8.3, 30-8.3, 31-8.3, & 27-8.3

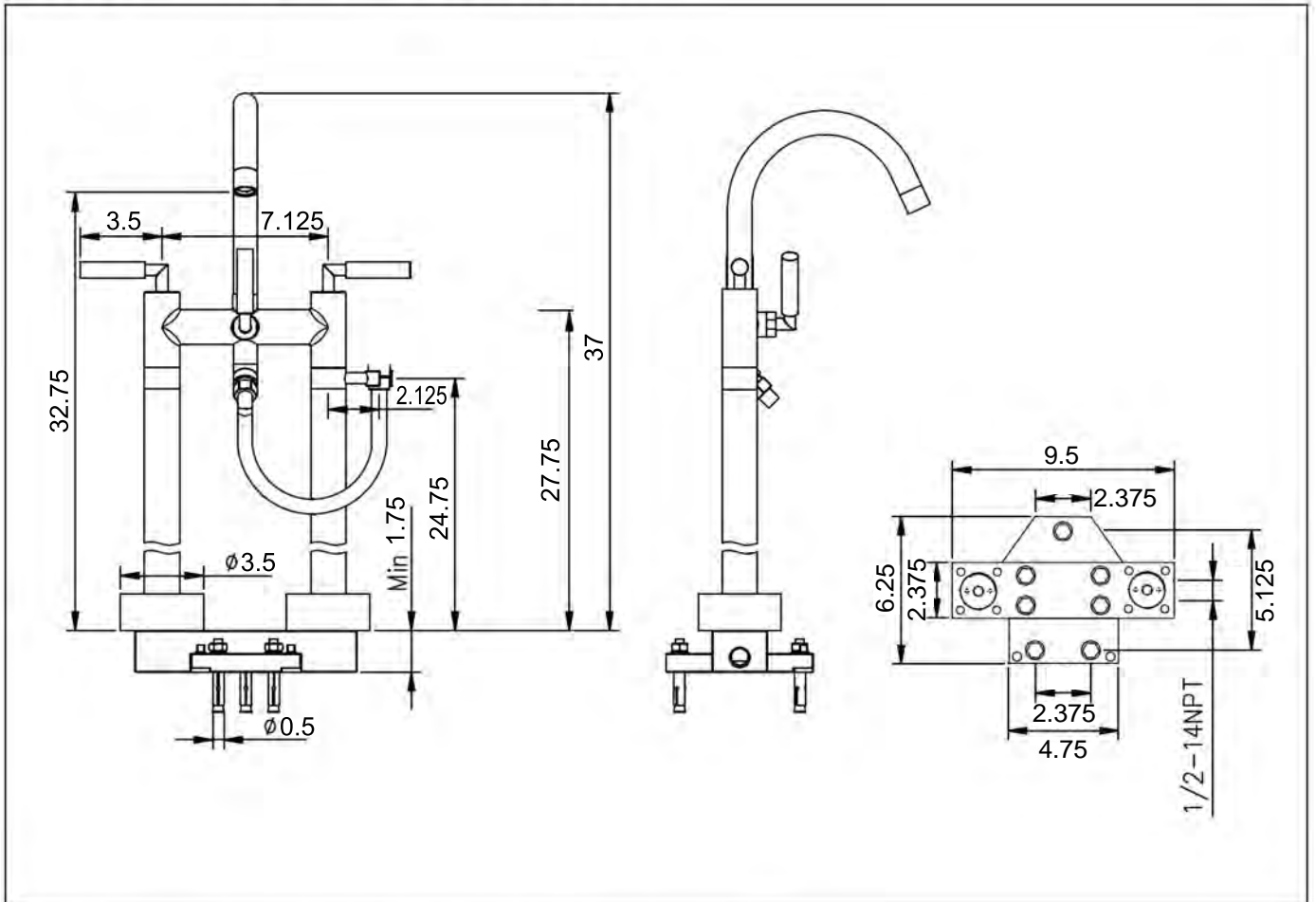


ASME A1 12.18.1

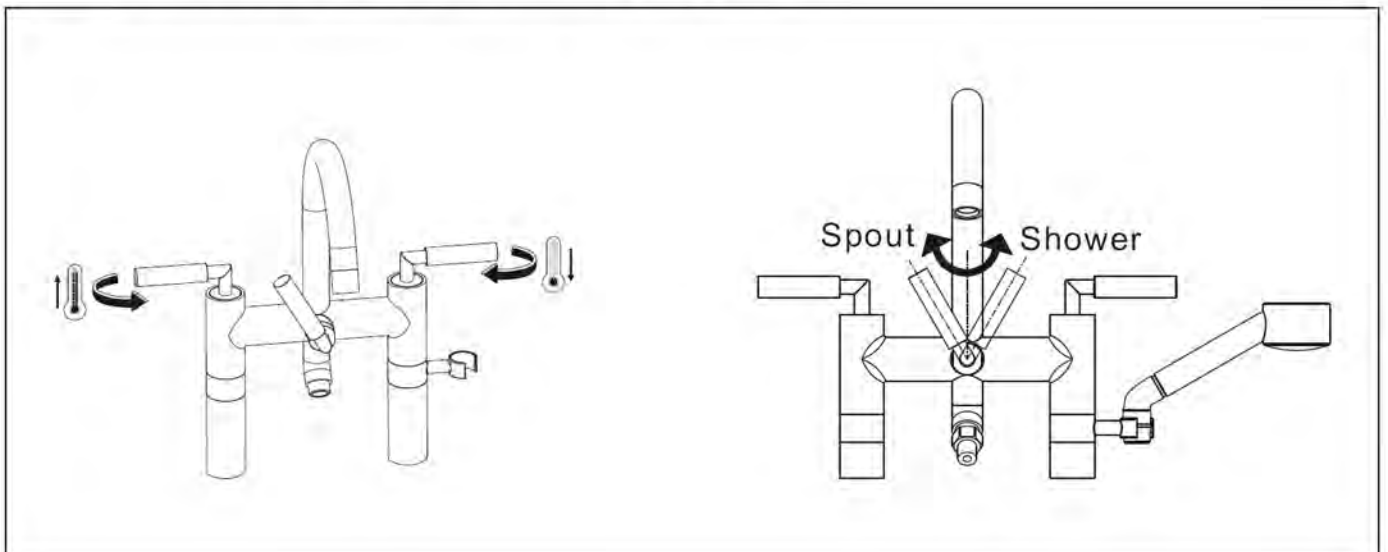
NSF61

CAS B125.1

ROUGH-IN DIMENSIONS

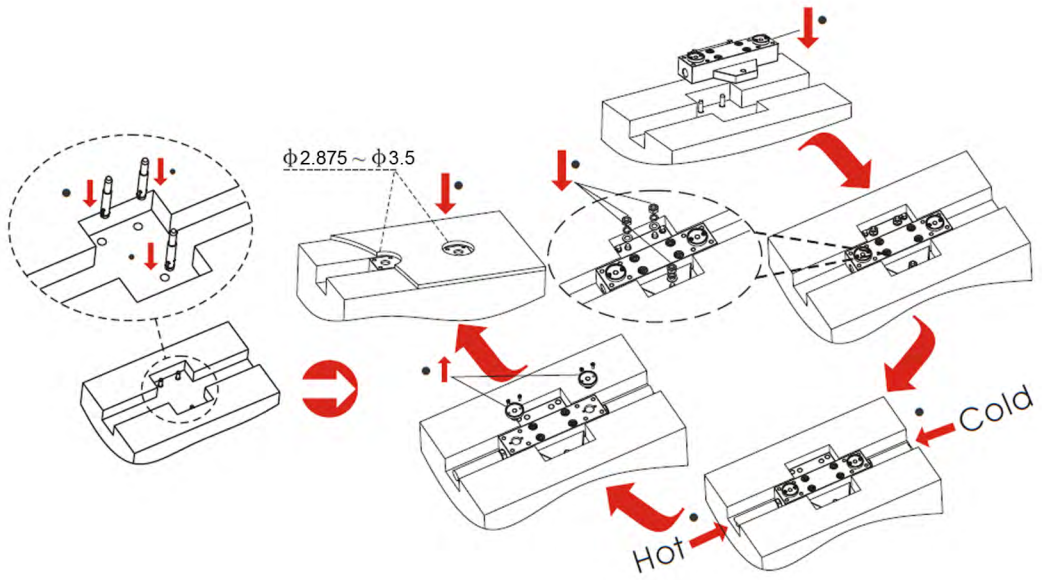


OPERATION INSTRUCTIONS



INSTALLATION

1



2

